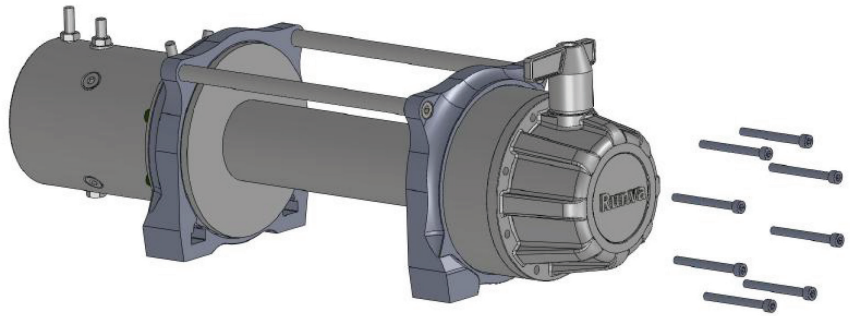


# PREMIUM SERIES Gearbox Rotation Guide

11XP Premium / 13XP Premium / EWB20000 / EWS10000

## Step 1

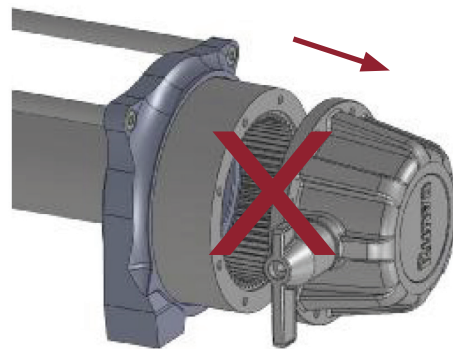
Remove the bolts from the gearbox housing.



## Warning

Do not separate the gearbox like shown.

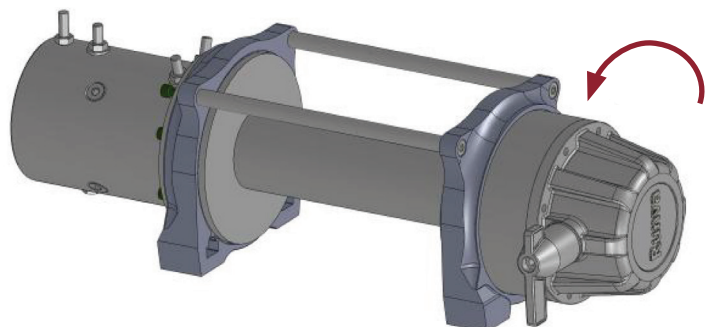
Keep pressure on the housing and simply rotate while making contact with the other part of the gearbox which is still attached to the winch.



## Step 2

Rotate the gearbox anti-clockwise.

Each bolt hole represents a 45 degree rotation.



## Step 3

Place the 8 bolts back into the gearbox housing and tighten.

